



# MOBILE APPLICATIONS

*PUTTING CLIENTS AND THEIR BUSINESS FIRST*

At Clients First, we're experts with Dynamics AX. Our experience began with the original software Axapta v. 1 in 1998. One of the ways that Clients First adds value to our customers is by developing mobile apps that integrate directly into the Dynamics AX system. If you are a process, discrete, mixed mode manufacturer or Maintenance, Repair, and Overhaul (MRO) organization, we know how AX works out of the box, and how to make it work better for your company. Your enterprise can use our proprietary apps that will help you get work done more efficiently.

Clients First has an expert team to help design the best application for your preferred use. We combine deep technical skills with an understanding of what the user needs to efficiently make their employees work life easier and happier.

## **Mobile Applications developed for current customers**

- › Mobile App: Sales Route CRM for sales customer management and route planning.
- › Mobile App: Upick is a manufacturing/distribution specific IP (intellectual property) ideally suited for companies shipping 10 to 50 or more truckloads of product per day.
- › Pocket MRP/MPS: Allows manufacturers to plan for products and scheduling without the overhead.

## **VERTICAL EXPERTISE**

- › PROJECT BASED MANUFACTURING
- › ETO/MTO
- › FOOD PROCESSING & DISTRIBUTION
- › MAINTENANCE REPAIR & OVERHAUL
- › PROFESSIONAL SERVICES

**Microsoft**® Partner

Gold Enterprise Resource Planning

## **TECHNOLOGY PRODUCTS SUPPORTED**

- › ACUMATICA
- › MICROSOFT DYNAMICS AX
- › MICROSOFT DYNAMICS NAV

**NEW JERSEY • ALABAMA • FLORIDA • ILLINOIS • MINNESOTA • TENNESSEE • TEXAS**

**Info@ClientsFirst-AX.com | ClientsFirst-AX.com**

# MOBILE APPLICATIONS

PUTTING CLIENTS AND THEIR BUSINESS FIRST

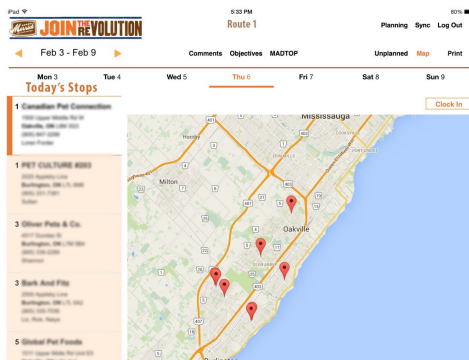
## Clients First Mobile Applications

### Methodology

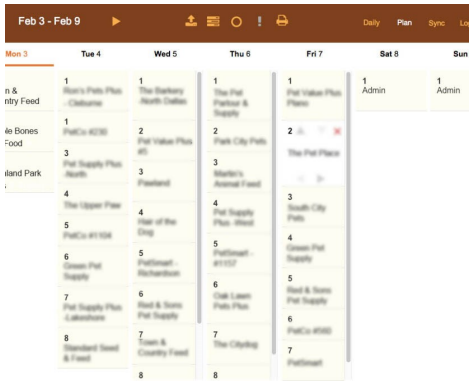
Our mobile applications are geared towards reducing costs, making your ERP work better, and obtaining better efficiencies.

### Field Services & Sales Mobile Application

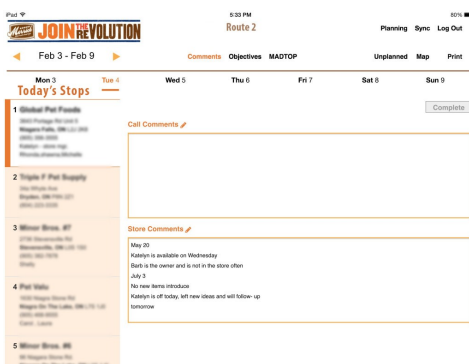
Maps embedded within the Dynamics AX app.



Planner on the app makes it easy for a sales representative to change or modify schedules by clicking the arrows.

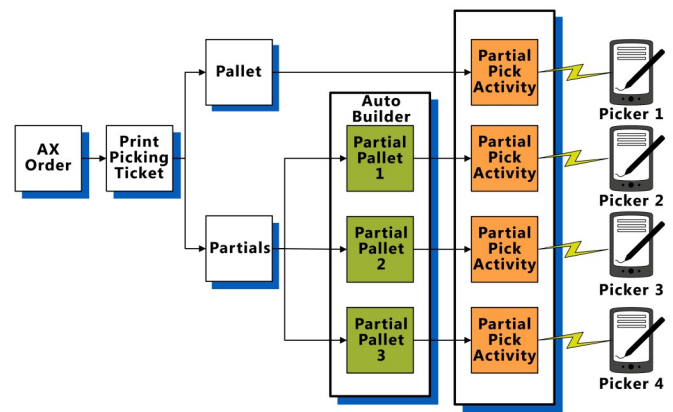


The Sales Rep can click the company and add comments relating to the visit.



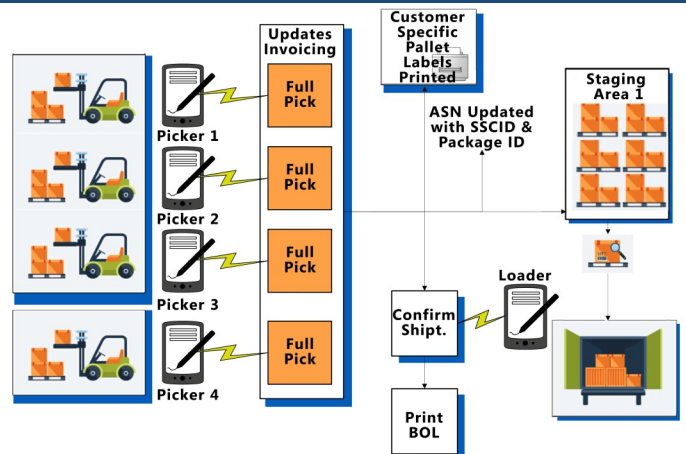
## Warehouse Mobile Applications

The mobile application was created to simplify the warehouse worker's required actions. Your employees are not required to be genius level AX users or even be computer literate. The mobile device has simple, easy to use screens and all actions of your pickers are recorded on the hand-held device without the bulk of a full ERP confusing warehouse workers.



## WAREHOUSE MOBILIZATION BENEFITS

- MAXIMIZED TRUCKLOADS
- REDUCE PALLETES NEEDED & ALLOWS PALLETIZATION ON THE FLY
- LABOR SAVINGS
- LESS SHIPPING ERRORS
- NO UPGRADES NEEDED AS THIS PRODUCT
- WORKS WITH AX 4, AX2012 TO AX7.



NEW JERSEY • ALABAMA • FLORIDA • ILLINOIS • MINNESOTA • TENNESSEE • TEXAS

Info@ClientsFirst-AX.com | ClientsFirst-AX.com